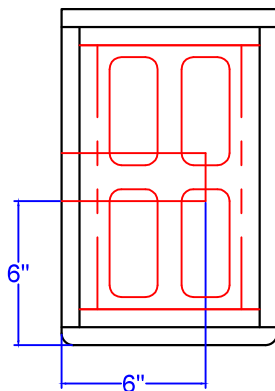


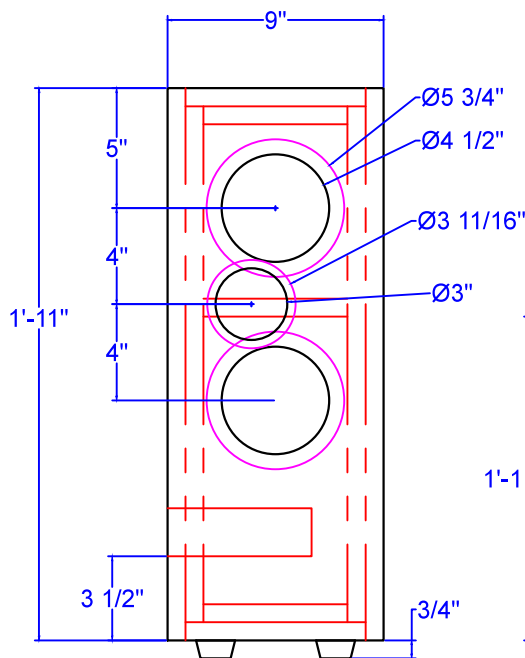
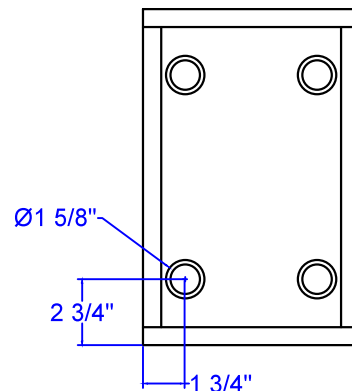
NOTES:

- ALL ROUNDED EDGES = $\frac{1}{2}$ " RADIUS
- RUBBER FEET ARE IDENTICAL
- OUTER LAYER IS $\frac{3}{4}$ " MDF
- INNER LAYER IS $\frac{3}{4}$ " PLY
- BRACING IS $\frac{3}{4}$ " PLY
- FRONT FACE IS $\frac{3}{4}$ " CHERRY

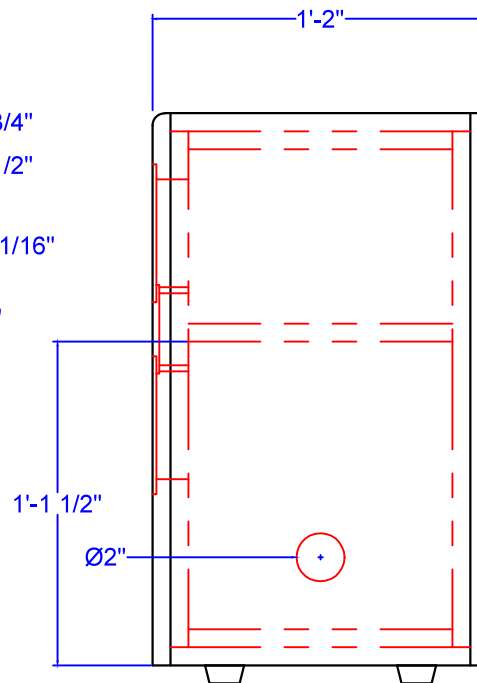
TOP VIEW



BOTTOM VIEW

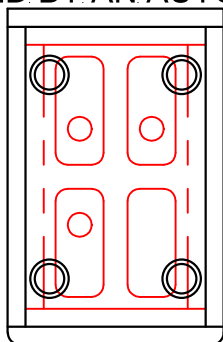


FRONT VIEW

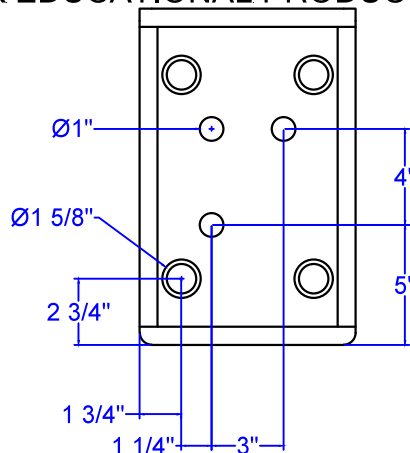


SIDE VIEW

TOP VIEW



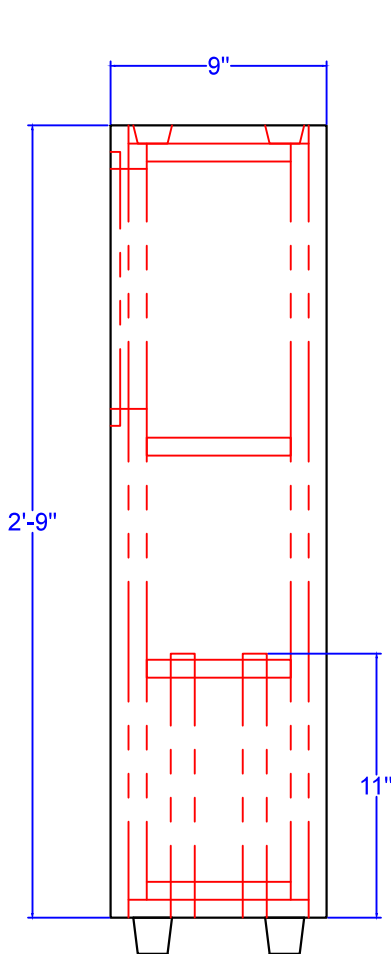
BOTTOM VIEW



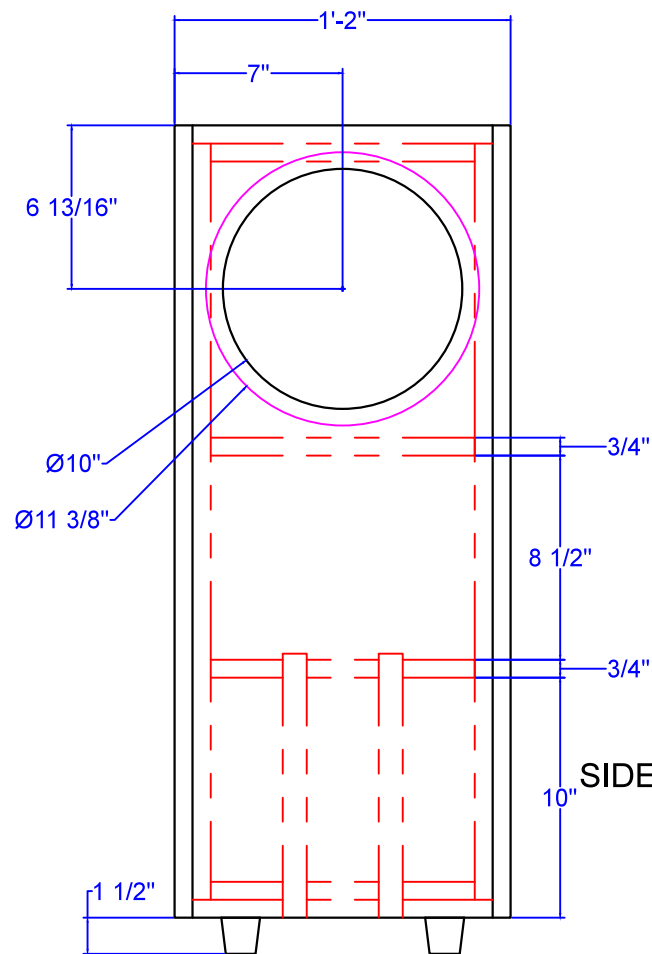
NOTES:

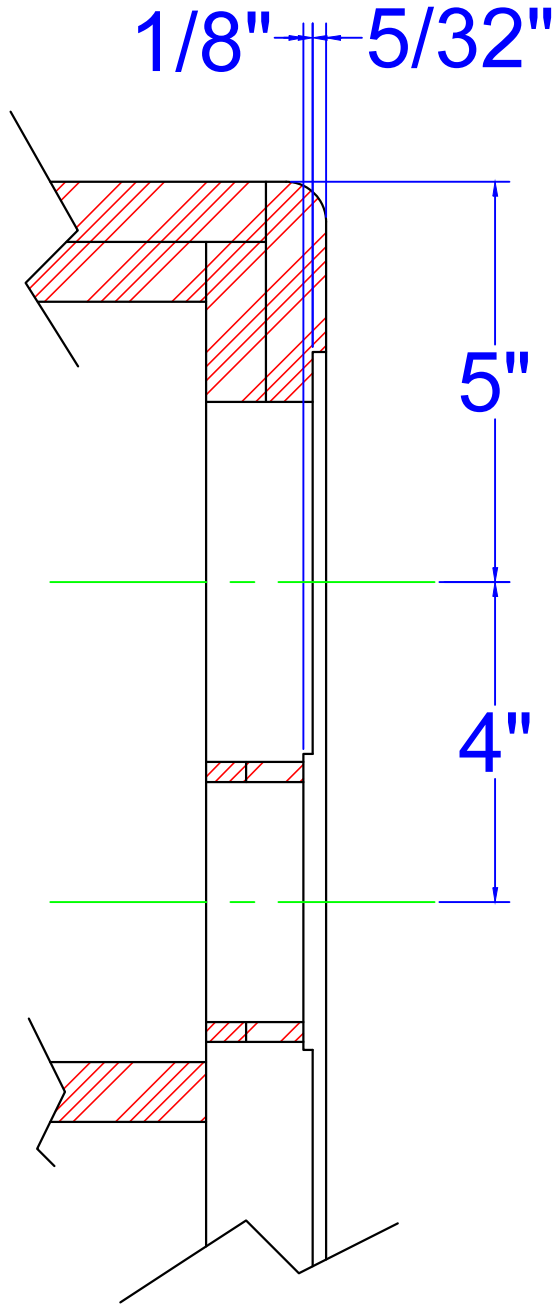
- ALL ROUNDED EDGES = $\frac{1}{2}$ " RADIUS
- RUBBER FEET ARE IDENTICAL
- OUTER LAYER IS $\frac{3}{4}$ " MDF
- INNER LAYER IS $\frac{3}{4}$ " PLY
- BRACING IS $\frac{3}{4}$ " PLY
- FRONT FACE IS $\frac{3}{4}$ " CHERRY

FRONT VIEW



SIDE VIEW





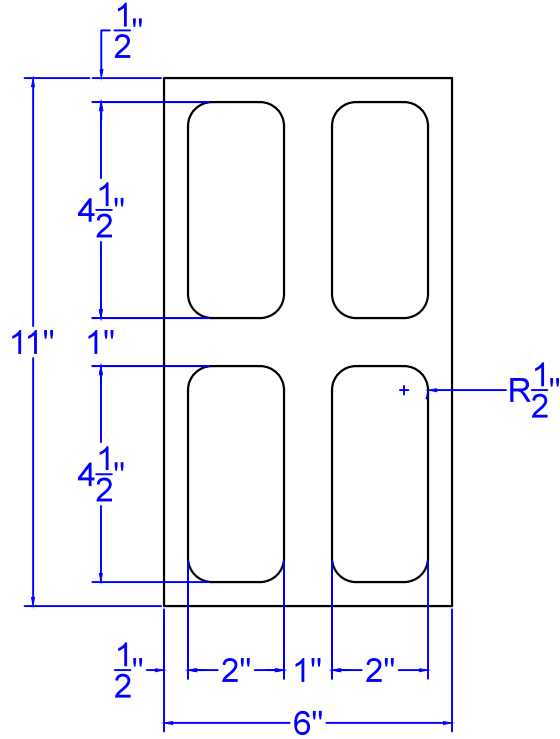
AETERNUS LUX MTM CUT-OUT VIEW

DRAWN BY PAUL KIRBY

SCALE 5" = 1'

DATE 3-1-2013

DRAWING NUMBER #3



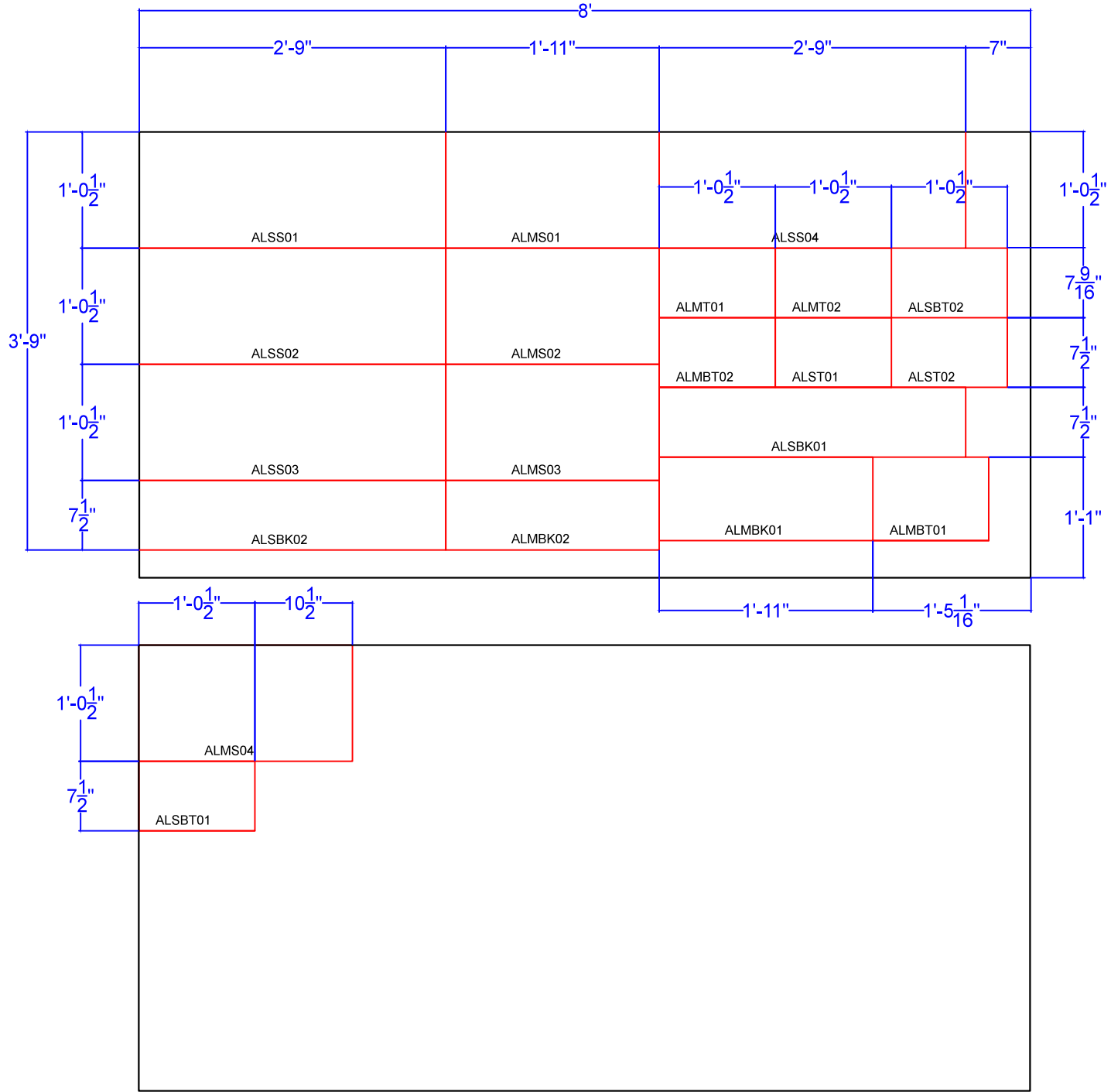
AETERNUS LUX BRACING SECTION

DRAWN BY PAUL KIRBY

SCALE 3" = 1'

DATE 3-1-13

DRAWING NUMBER #4



PRODUCED BY AN AUTODESK EDUCATIONAL PRODUCT

PRODUCED BY AN AUTODESK EDUCATIONAL PRODUCT

